

# Owners Manual: 11-3/4 in. 3-Shelf Pipe Shelf Kit SKU# 211-8684 & 211-8673



Thank you for your purchase of our product. The following contains assembly instructions as well as care and maintenance suggestions. Please take a moment to completely read and familiarize yourself with this information. If you have any questions regarding your purchase, please contact us at 1-800-495-9278.

1. KEEP AWAY FROM CHILDREN: Never allow children in a work area. Do not allow children to handle this product and any tools or equipment.
2. WEIGHT CAPACITY: 90 lbs weight capacity with minimum two (2) metal shelf frames on evenly distributed loads. Must be assembled using cross braces and included hardware.
3. IMPORTANT: Metal Shelf Kit must be secured to the wall using the included safety bracket and hardware.

3. USE OF PRODUCT: Never use inappropriate attachments or manipulate shelf beyond manufactured capabilities. Inappropriate use or manipulation can cause serious injury and will void any and all warranties.
4. MAINTAIN WITH CARE: Always keep shelf clean and properly assembled for safe and proper performance. Do not expose to corrosive materials.

## IMPORTANT! CONTACT CUSTOMER SERVICE BEFORE RETURNING TO STORE

- HAVING PROBLEMS?
- INSTALLATION QUESTIONS?
- NEED PARTS?
- TROUBLESHOOTING?

CONTACT US FIRST: Customer Service 1-800-495-9278 M-F: 8:00 am - 8:00 pm CT / S-S: 10:00 am - 5:00 pm

### Parts List

- A** Frame  
QTY: 2
- B** Cross  
Brace  
QTY: 2
- C** M6X35MM  
Allen Bolt  
QTY: 4
- D** M6X12MM  
Allen Bolt  
QTY: 1
- E** M6 Nut  
QTY: 5
- F** M5X12MM  
Shelf Screw  
QTY: 12
- G** M6  
Shelf Foot  
QTY: 4
- H** Pipe Strap  
QTY: 6
- I** Safety  
Bracket  
QTY: 2
- J** M5X35MM  
Screw  
QTY: 4
- K** Wall  
Anchor  
QTY: 4

### Step 1 Assembly

- A.** Connect the two (2) Frames (A) using two (2) Cross Braces (B), four (4) M6X35MM Allen Bolts (C) and four (4) M6 nuts (E). See Figure A.
- B.** Connect the two Cross Braces (B) together using one (1) M6X12MM Allen Bolt (D) and one (1) M6 nuts (E). See Figure B.
- C.** Screw in the four (4) M6 Shelf Feet (G) to the bottom of the two (2) frames (A). See Figure C.
- D.** Frame should look like Figure D. Tighten all hardware.

Figure A:

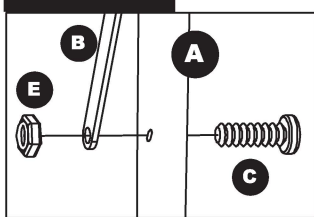


Figure B:

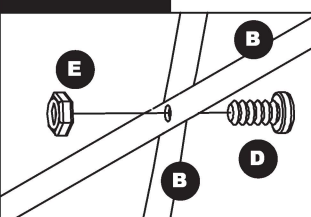


Figure C:

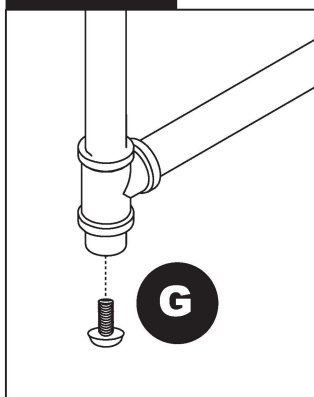
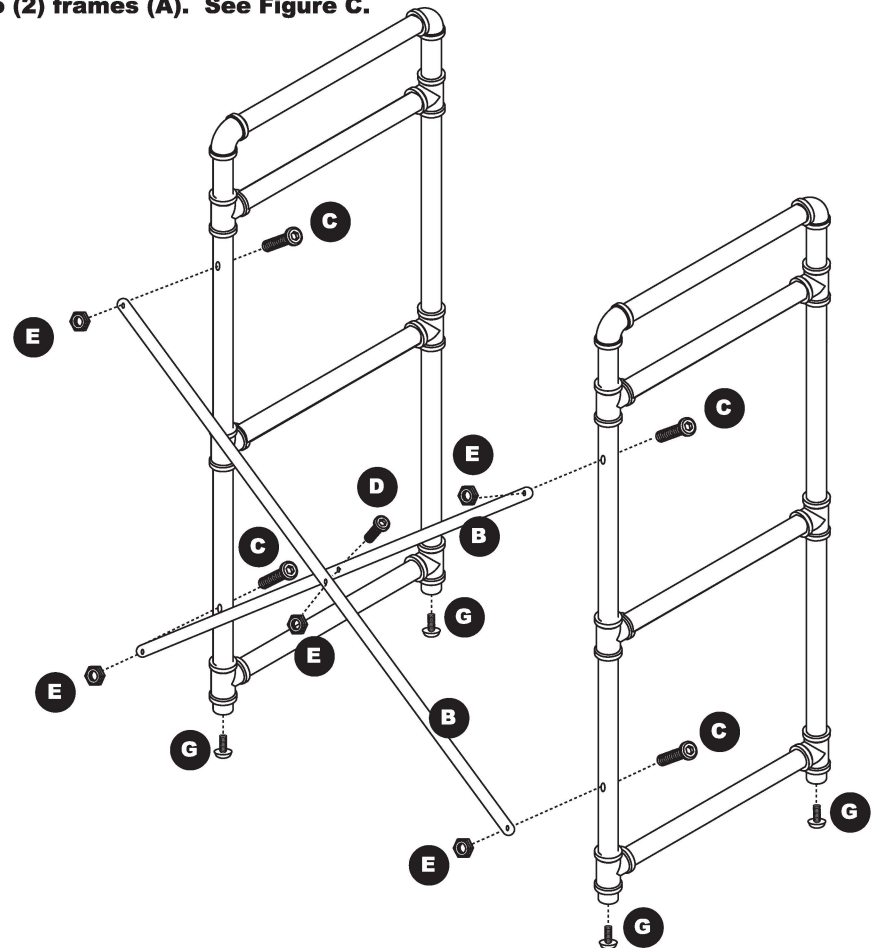
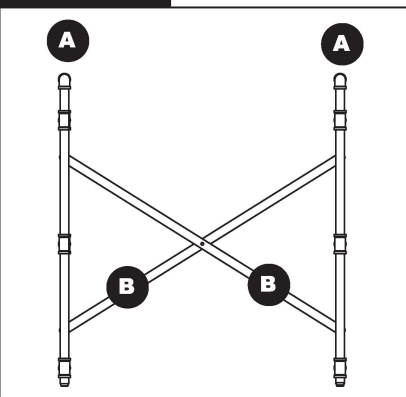
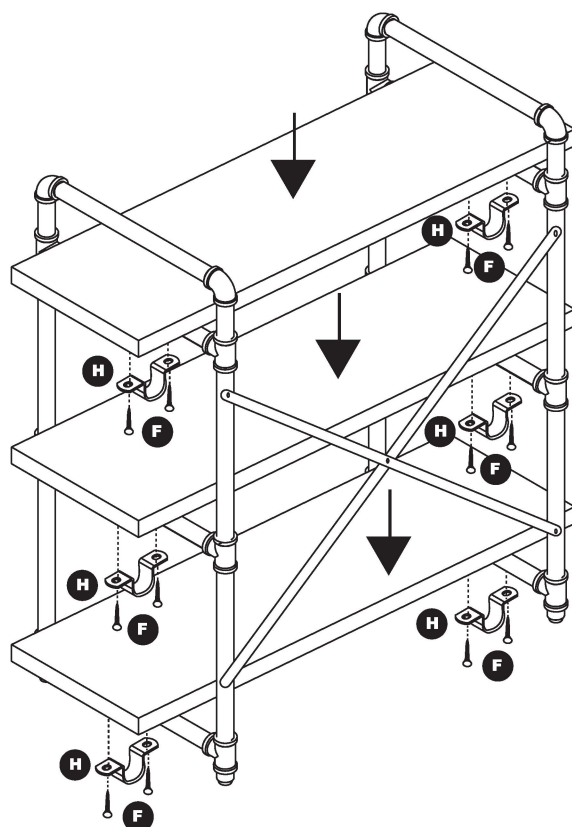


Figure D:



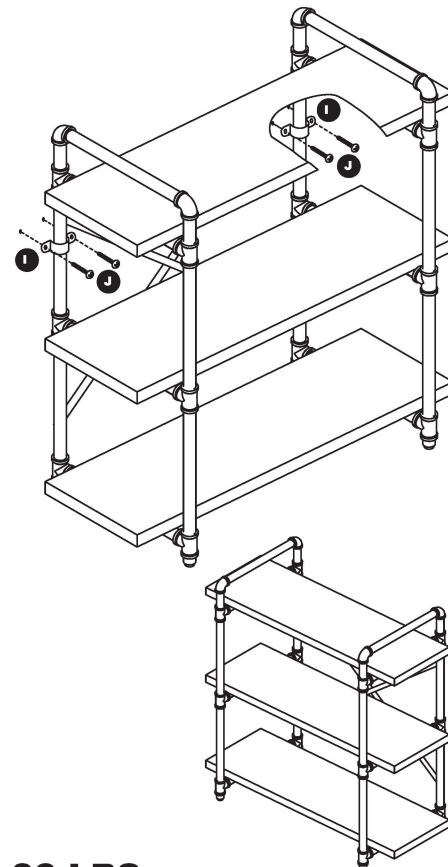
### Step 2 Assembly

Using the six (6) Pipe Straps (H), twelve (12) M5x12MM Shelf Screws (F), and 1/16" drill bit (not included) attach the shelf (not included) to the center of the Pipe Shelf Frames. Take special care not to drill/screw through shelf top.

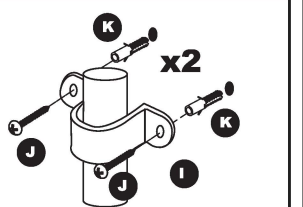


### Step 3 Assembly

**IMPORTANT:** Using the two (2) Safety Brackets (I) secure the Pipe Shelf Frame to the wall.

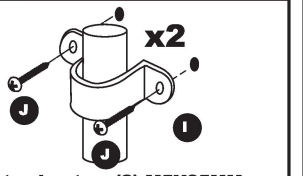


#### Drywall:



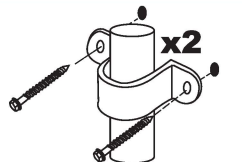
Mount using two (2) M5X35MM Screws (J), two Wall Anchors (K) and 1/4" drill (not included).

#### Wood:



Mount using two (2) M5X35MM Screws (J) and 1/16" drill (not included).

#### Concrete/Brick:



Use concrete/block/brick anchors (not included).

**90 LBS**  
MAXIMUM WEIGHT CAPACITY

Customer Service  
2301 Traffic St NE  
Minneapolis, MN 55413  
1-800-495-9278