



DO NOT RETURN TO RETAILER
IF YOU HAVE ANY
QUESTIONS OR CONCERNS
PLEASE CALL
BOND MANUFACTURING
TOLL FREE AT
1-866-771-BOND(2663)
MONDAY – FRIDAY 8AM TO 4:30 PM PST

OR EMAIL TO
customer.service@bondmfg.com

OR VISIT OUR WEBSITE ON
www.bondmfg.com

Assembly Instruction

Item# Y98913

**** WARNING ****

Read these instructions carefully and keep the fountain power off until the following assembly process is completed.

Notes:

- Choose an appropriate location for the fountain.
- Excessive weight or pressure on any of the fountain sections may cause it to fall. Keep pets, children, or anyone from sitting, leaning, or climbing on any of the fountain components.
- While fountain is designed to operate as splash free as possible, some water splashing out of the fountain is inevitable. Place the fountain in a location where any splashing will not cause damage.
- The National Electric Code requires that a ground fault circuit interrupter (GFCI) be used in the branch circuit supplying fountain pump and other pond equipment. Seek your electrical supplies dealer for this device.
- Always keep the fountain working with sufficient water and clean of debris and dirt to ensure proper functioning of the pump.
- If necessary, clean the fountain with a soft cloth and change the water frequently. Due to water evaporation, you may see a buildup of white residue on the fountain surface from mineral content in the water supply. To prevent such buildup, regularly clean the fountain with soap and water, do not use any abrasive, which may damage the applied finish.
- See the pump instructions for pump safety, maintenance, and warranty information.
- Keep this manual for future reference.

use of water clarifier, or algaecide of any kind will damage the paint on the fountain and will not be covered under the manufactures warranty.

Installation & Assembly

- Place the fountain on a level surface, away from areas where it is likely to get clogged with leaves and make sure that the cable will reach the socket.
- Take out all the package parts from the carton
- Follow steps to assemble as illustrated below

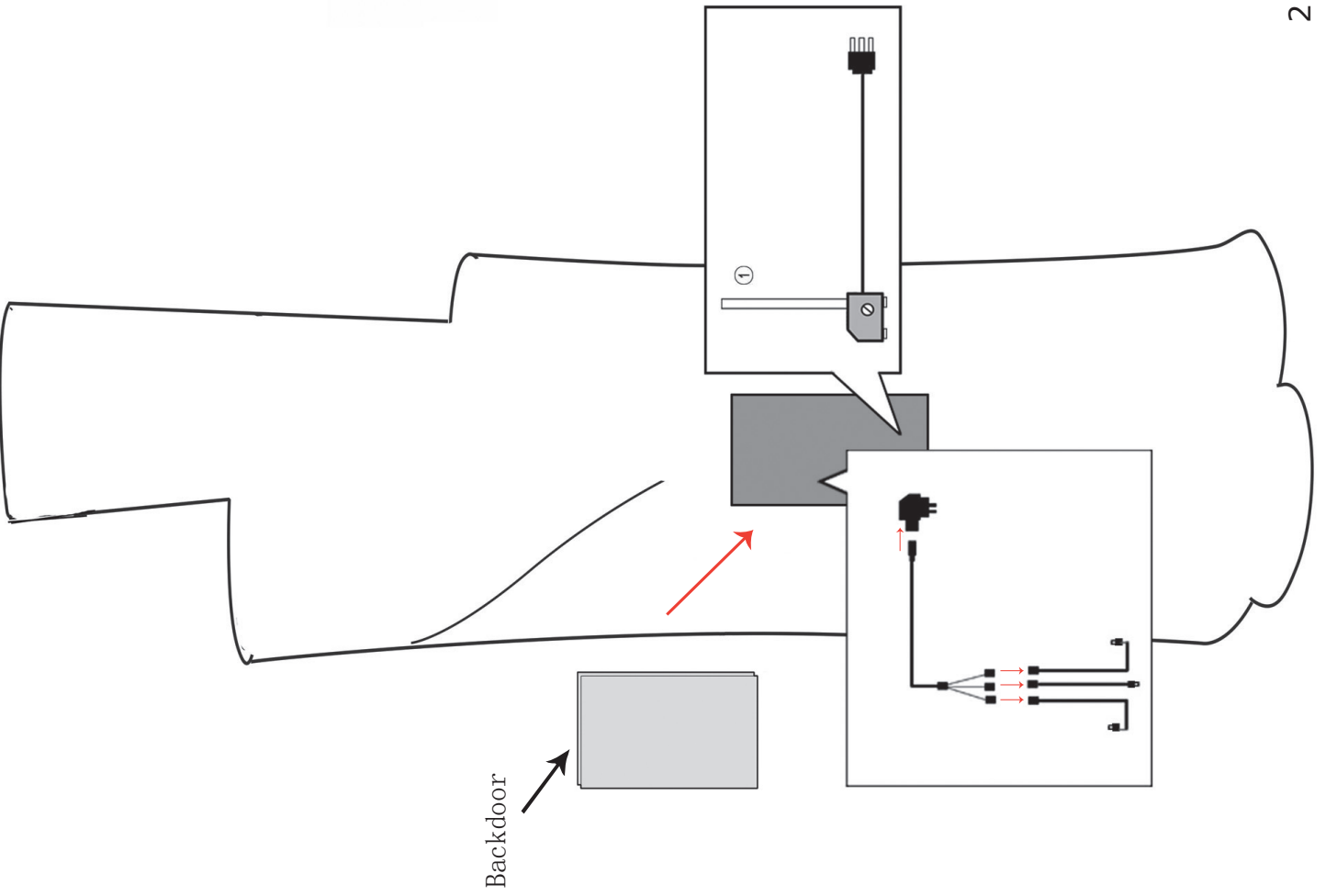
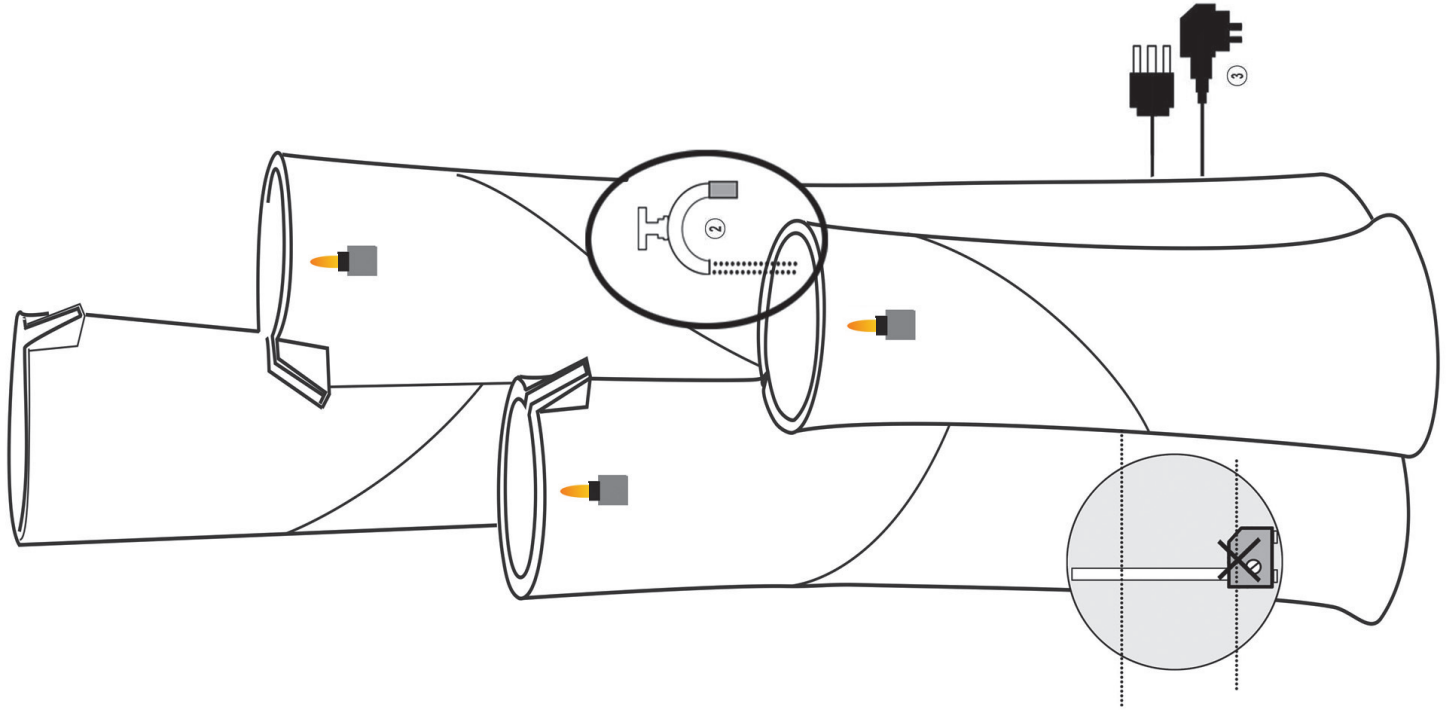
Step (1). Pull out the flexible hose from the back of the fountain, then Connect it to pump outlet, showed as ①

Step (2). Pull enough water into the fountain ②

Step (3). Start working showed as ③

Fill the reservoir with clean water carefully or pipe water into fountain from the front. Always make sure the water can submerge the pump completely to work properly and prevent the pump damage. Plug the pump and adaptor then switch on, the water will start to flow in minutes.

- Adjust the pump flow rate to achieve the desired effect and to minimize any splashing, Splashing can occur if the flow rate is too high or the reservoir is too full. The flow rate can be increased or decreased by moving the flow rate control slider on the pump body. Moving the switch towards '+/ Max .' will increase the flow rate and moving it towards '-/Min' will decrease it. On some type of pumps, flow regulator may be turned clockwise or counterclockwise to adjust.



Troubleshooting

- - TURN OFF THE POWER BEFORE YOU CHECK FOLLOWING - -

If pump does not run, or lights not on --

- (1) Check the circuit breaker, try another outlet.
- (2) Check the water level in the fountain. Running the pump without sufficient water can damage the pump.
- (3) Check the setting of the flow control on the pump and adjust the flow.
- (4) Check the pump discharge and intake for dirt and debris.
- (5) Check the fountain feature tubing for kinks and obstructions.
- (6) The pump might be "air locked". Plug and unplug the pump several times to release the air inside the pump.
- (7) Check and reconnect all the cords and try again.

IF YOU HAVE QUESTIONS OR CONCERNS

PLEASE CALL BOND TOLL FREE #

1-866-771-BOND(2663) OR TO BETTER

EXPEDITE YOUR REQUEST FEEL FREE TO EMAIL US

customer.service@bondmfg.com

OR LOG IN TO OUR WEBSITE UNDER CUSTOMER SERVICE SUPPORT

www.bondmfg.com

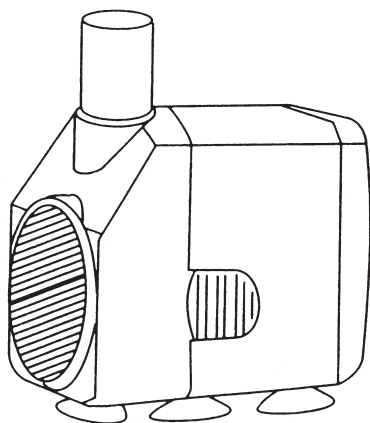
YuanHua

SUBMERSIBLE PUMP

OWNER'S MANUAL

INTRODUCTION

YuanHua pumps are carefully inspected and tested to ensure both safety and operating performance, However, failure to follow the instructions and warnings in this manual may result in pump damage and/or serious injury. Be sure to read and save this manual for future reference.



WARNING

- Risk of electric shock - This pump is supplied with a grounding conductor and grounding type attachment plug. To reduce risk of electric shock, be certain that it is connected only to properly grounded, grounding-type receptacle.
- To reduce the risk of electrical shock, use only on portable self-contained fountains no larger than 5 feet in any dimension.
- Risk of Electric Shock, Do not remove cord and strain relief. Do not connect conduit to pump.
- This Pump Has Been Evaluated for Use With Water Only
- Reduce risk of electric shock during operation of this pump requires the provision of acceptable grounding.
- Risk of electric shock – This pump has not been investigated for use in swimming pool or marine areas
- Do not connect to any voltage other than that shown on the pump.
- Always disconnect from electrical outlet before handling the pump.
- Don't operate without water.
- Operate pump completely submerged for proper cooling.

PERFORMANCE

A clogged or dirty intake screen will greatly reduce performance.

If the pump is used on a dirty surface, raise it slightly to reduce the amount of debris contacting the intake. If less flow is desired, adjust the flow control lever on the side of the pump or restrict the discharge flow.

Do not let the pump run when not submerged in water. Doing so may damage the pump. Always submerge the pump first, and then plug in the electrical outlet. At the beginning, it probably can't pump water, because there is air in the pump and the tube. Don't worry about it. Please pull out and insert electrical outlet several times, it will work very well at once.

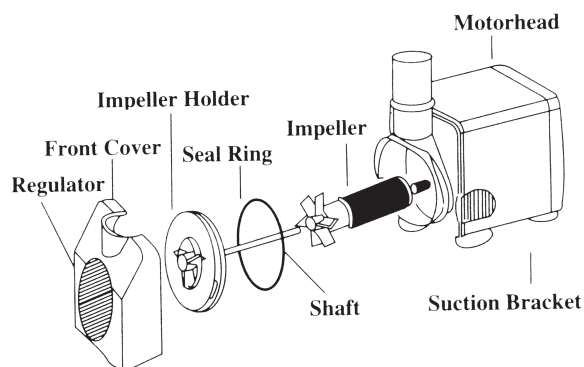
The pump is to be supplied through a residual current device (RCD) with a rated residual operating current not exceeding 30 mA.

MAINTENANCE

To clean the pump, remove the back cover and the impeller.

Use a small brush or stream of water to remove any debris **CAUTION:** The pump shaft can not be removed. **IF THE PUMP FAILS TO OPERATE, CHECK THE FOLLOWING:**

- Check the circuit breaker and try another outlet to ensure the pump is getting electrical power. **NOTE:** Always disconnect from electrical outlet before handling the pump.
- Check the pump discharge and tubing for kinks and obstructions. Algae build up can be flushed out with a garden hose.
- Check the inlet to ensure it is not clogged with debris.
- Remove the pump inlet to access the impeller area. Turn the rotor to ensure it is not broken or jammed.
- Monthly maintenance will add to your pump's life. **NOTE:** Ensure that the electrical cord loops below the electrical outlet to form a "Drip Loop" This will prevent water from running down the cord into the electrical outlet.



LIMITED WARRANTY

This product is guaranteed for a period of 12 months from date of purchase for material or manufacturing defects. Certificate of guarantee must be filled out completely by resale dealer and must accompany equipment along with the receipt, in case it is submitted for repair. Guarantee consists in guaranteed substitution of defective parts. Guarantee is considered void in case of improper use, nor does it answer to damages caused by improper handling or negligence on the part of the buyer. All equipment must be sent postage paid.
